

Natron Energy - 1U Tray - Specifications

Version 3.5 (DRAFT)

August 01, 2020

Performance (25 °C)		
Energy Efficiency (1C-1C)	> 90	%
Coulombic Efficiency (1C-1C)	> 93	%
Cycle Life (100% DOD)	> 10,000	cycles

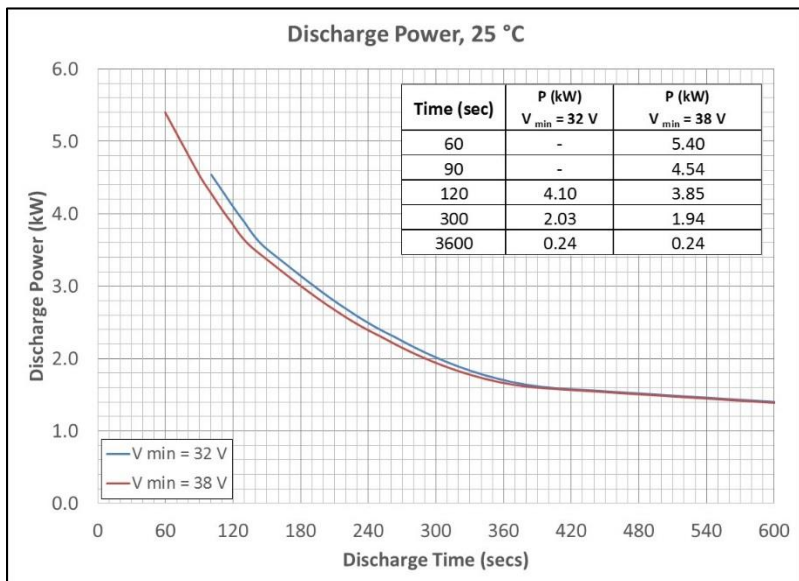
Electrical Characteristics (25 °C)		
Maximum Allowable Voltage	59.9	V
50% SOC Voltage	50.3	V
Cutoff Voltage, Discharge < 4.0A	38.0	V
Cutoff Voltage, Discharge > 4.0A	32.0	V
Nominal Energy, 1 hour	0.26	kWh
Nominal Capacity, 1 hour	4.6	Ah
Maximum Discharge Current	142	A

Charge Capabilities (25 °C)		
0 – 99% Recharge Time	6	min
Maximum Charge Voltage	58.0	V
Maximum Charge Current	72	A
Maximum In-Rush Current	142	A

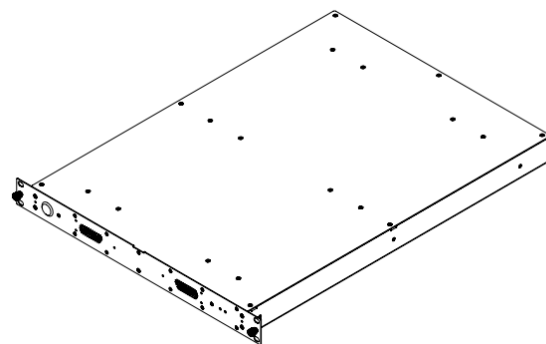
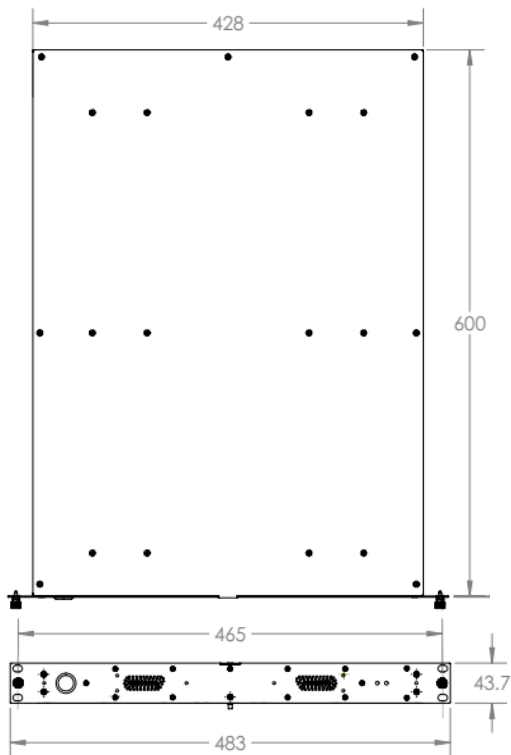
Ambient Temperatures		
Operating	0 to +45	° C
Recommended Storage	-20 to +50	° C
Transportation *	-50 to + 60	° C

* Up to 2 weeks at >50 °C

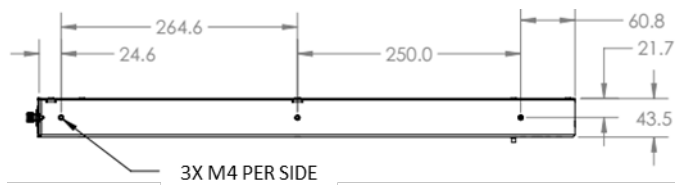
General	
Approvals	UL1973, UL9540A, UL991
Warranty	3 years at 25°C



Typical Outline Dimensions:



Mass = 22 kg



This data is subject to change. Contact Natron Energy for latest information.



Natron Energy, Inc.
3542 Bassett Street
Santa Clara, CA 95054
<http://natron.energy>