

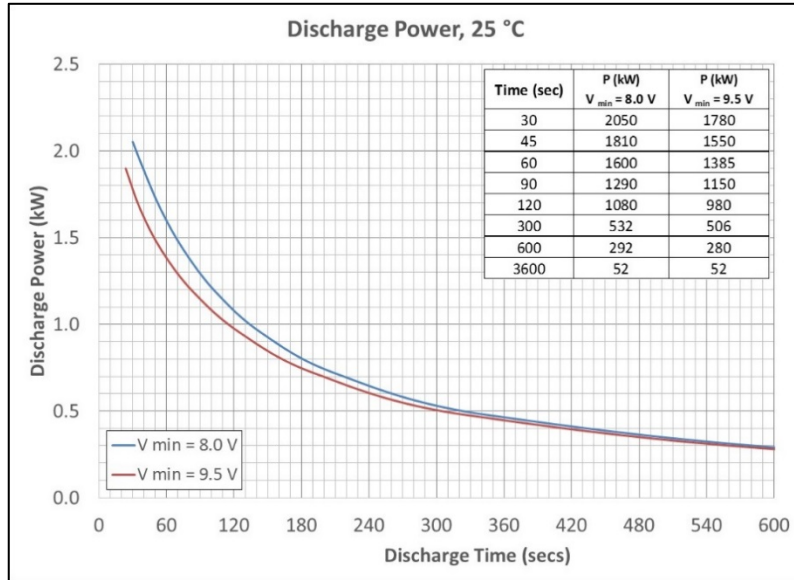
Natron Energy – 1U Module - Specifications

Version 1.1 (DRAFT)

February 23, 2021

Performance (25 °C)		
Energy Efficiency (1C-1C)	> 97	%
Coulombic Efficiency (1C-1C)	> 99	%
Cycle Life (100% DOD)	> 25,000	cycles

Electrical Characteristics (25 °C)		
Maximum Operating Voltage	14.5	V
50% SOC Voltage	12.6	V
Cutoff Voltage, Discharge < 4.0A	9.5	V
Cutoff Voltage, Discharge > 4.0A	8.0	V
Nominal Energy, 1 hour	57	Wh
Nominal Capacity, 1 hour	4.6	Ah
Maximum Discharge Current	300	A

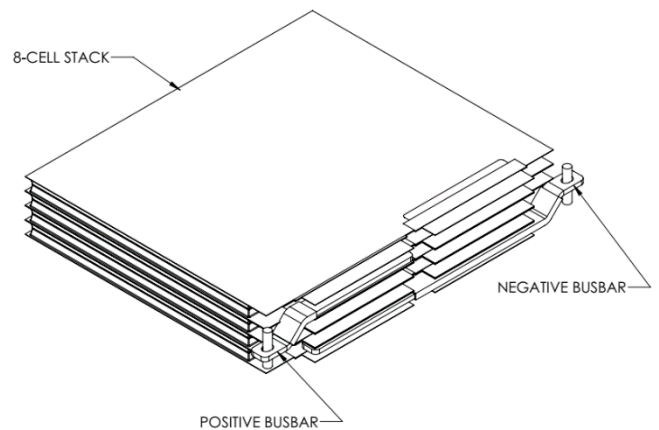
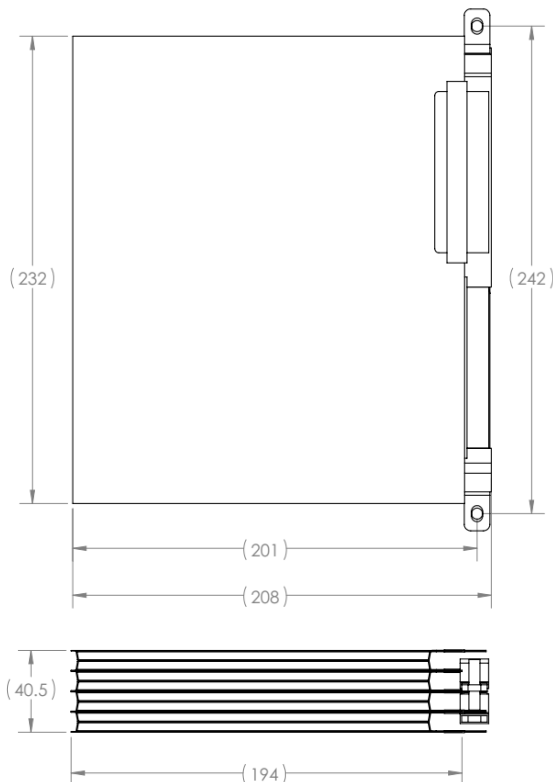


Charge Capabilities (25° C)		
0 - 99% Recharge time	6	min
Float Charge Voltage	14.5	V
Maximum Charge Current	300	A
Maximum In-Rush Current	300	A

Ambient Temperatures		
Operating	0 to +45	° C
Recommended Storage	-20 to +45	° C
Transportation	-20 to +45	° C

General	
Approvals	UL1973 (Cells)

Typical Outline Dimensions:



Mass = 2.5 kg

This data is subject to change. Contact Natron Energy for latest information.



Natron Energy, Inc.
3542 Bassett Street
Santa Clara, CA 95054
<http://natron.energy>